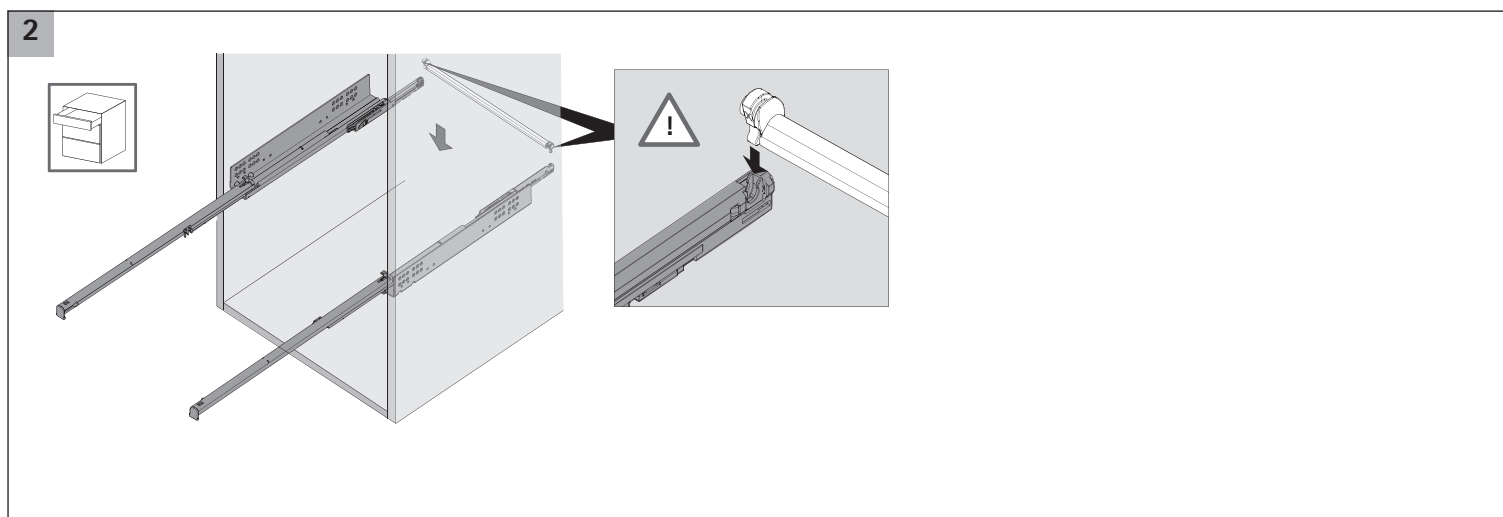
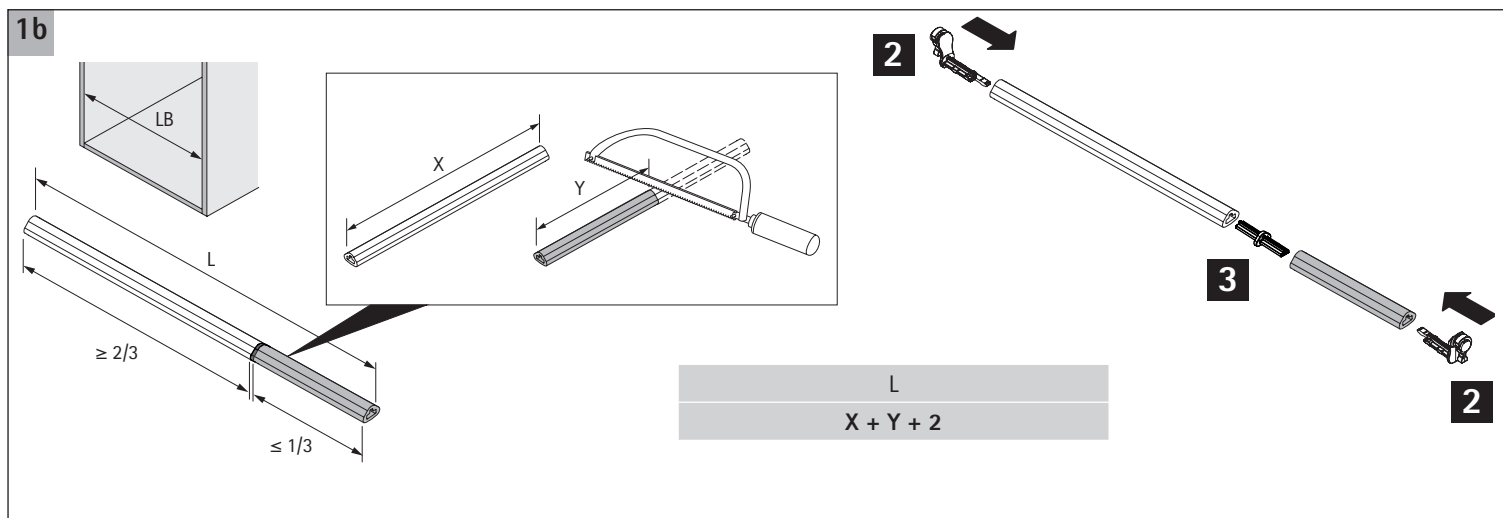
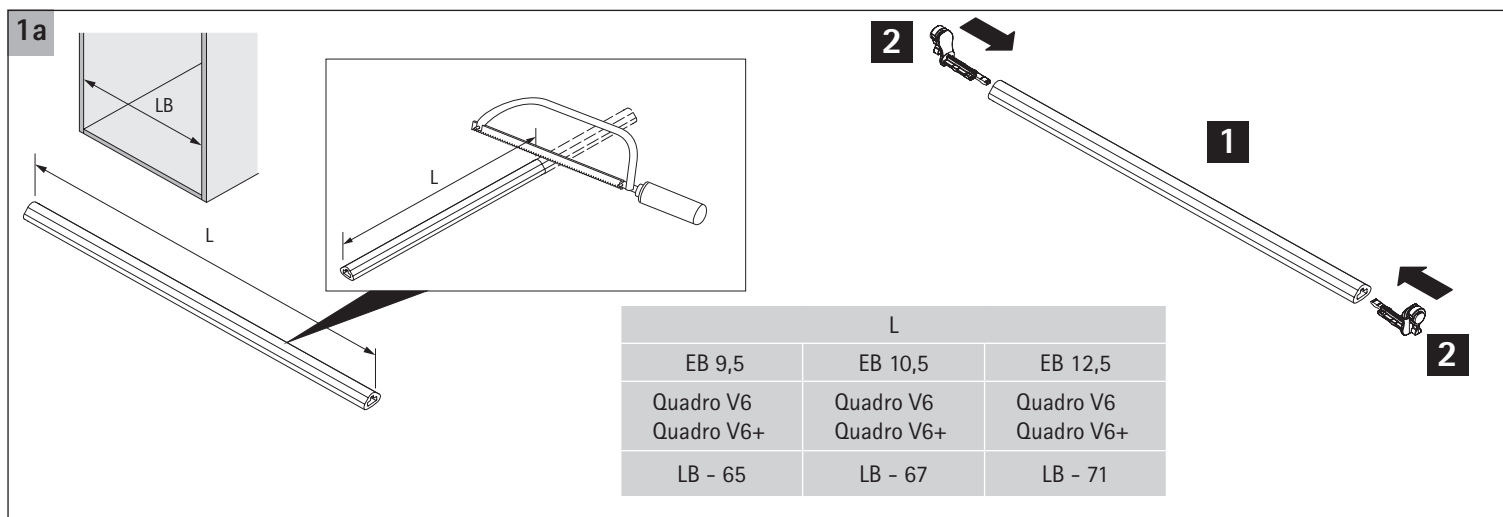
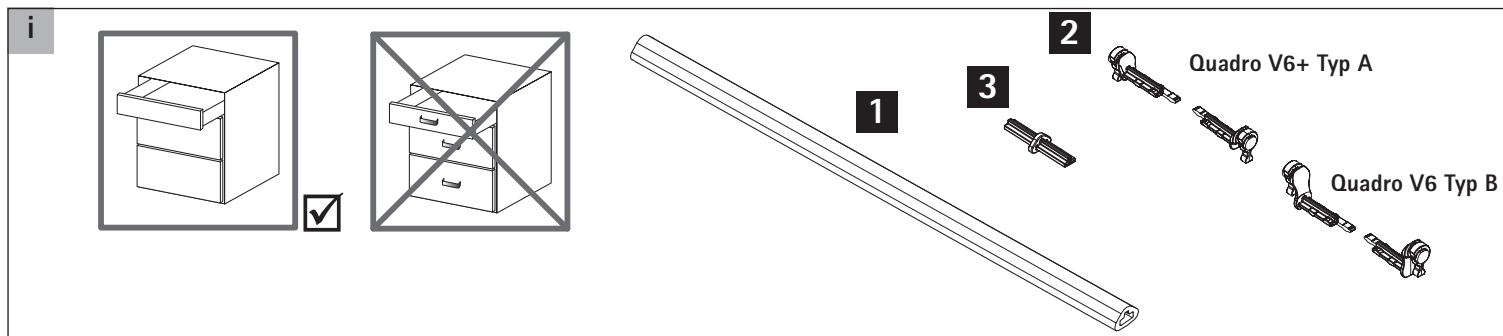
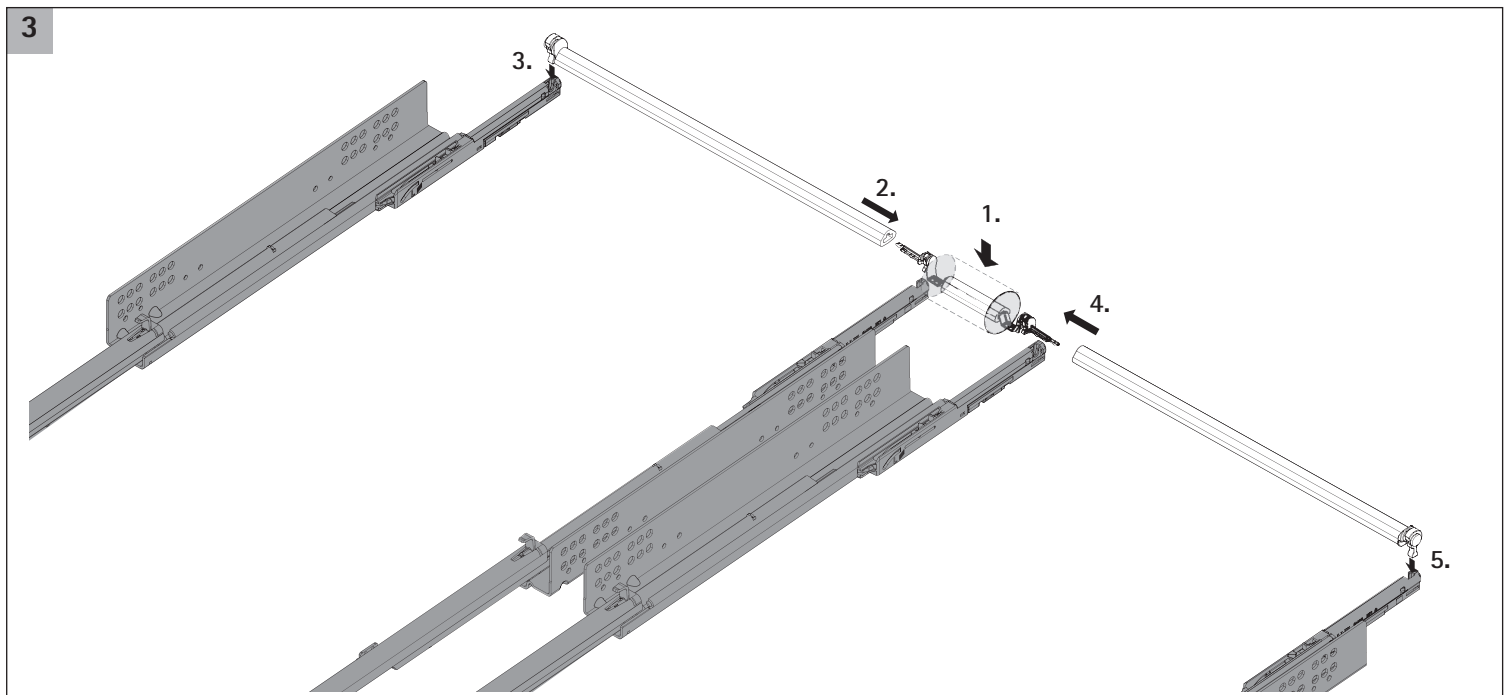
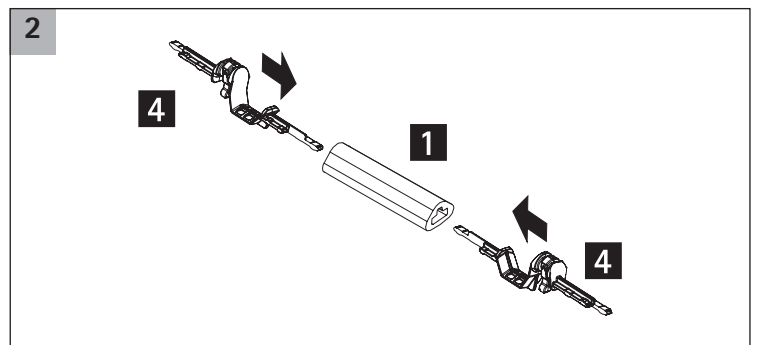
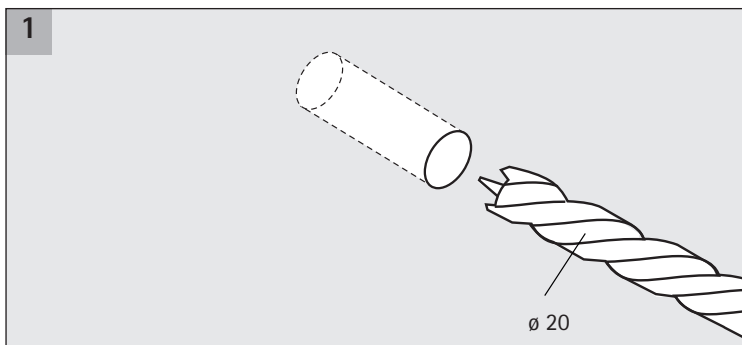
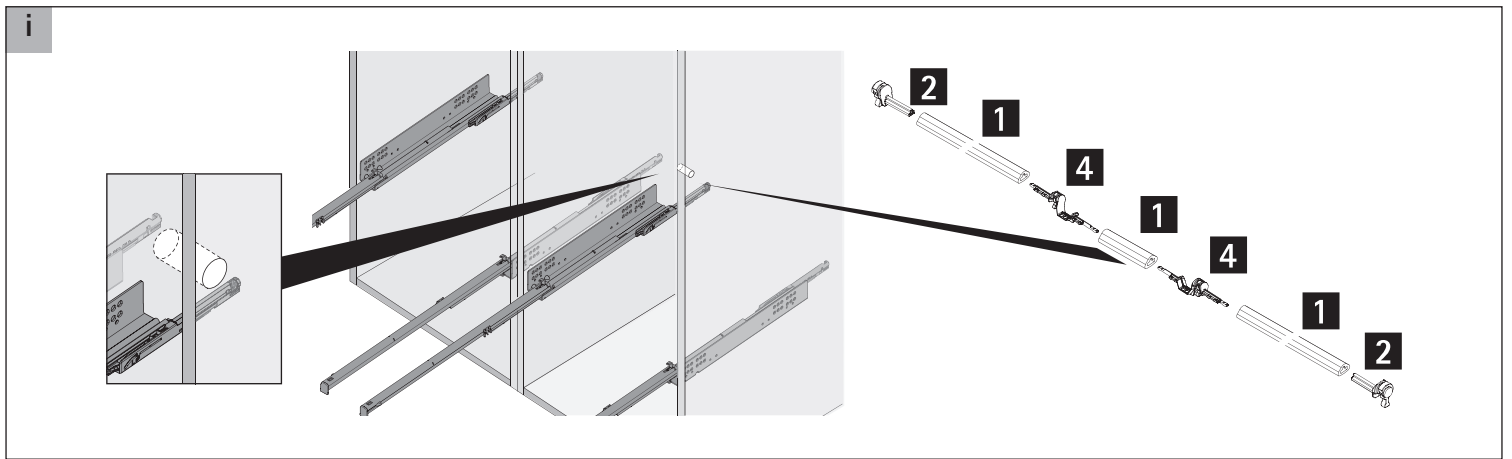
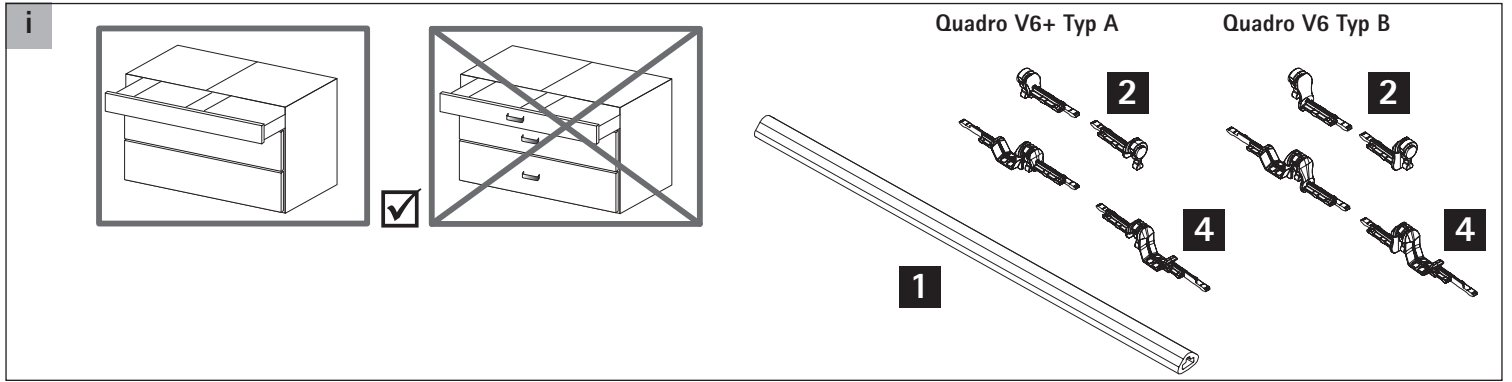


# Quadro für InnoTech / InnoTech Atira

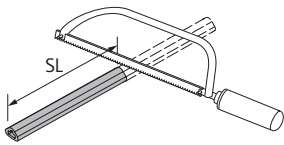
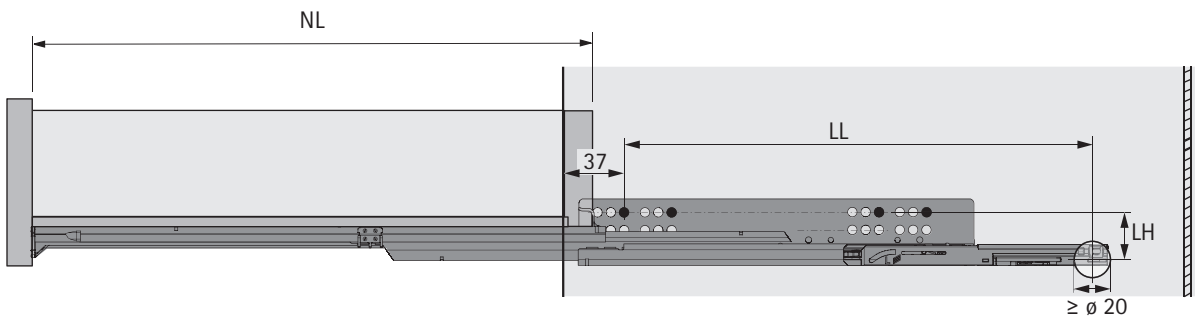
## Push to open Synchro/Multisynchronisation



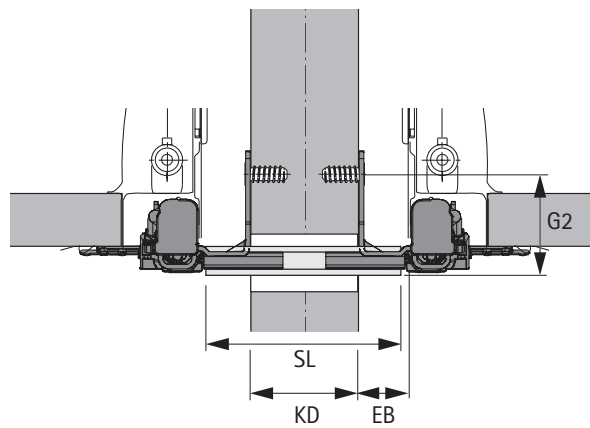
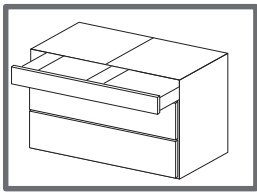
# Push to open Multisynchronisation



i



$SL = KD + 2 \times EB - 6$



Quadro V6 Typ B	
NL mm	260 300 350 420 470 520
LL mm	257 262 310 370 400 442

Quadro V6+ Typ A	
NL mm	300 350 420 470 520 620
LL mm	261 309 345 381 435 513

	LH mm		G2 mm
Quadro V6	33	Quadro V6	43
Quadro V6+	38	Quadro V6+	46

Technik für Möbel

